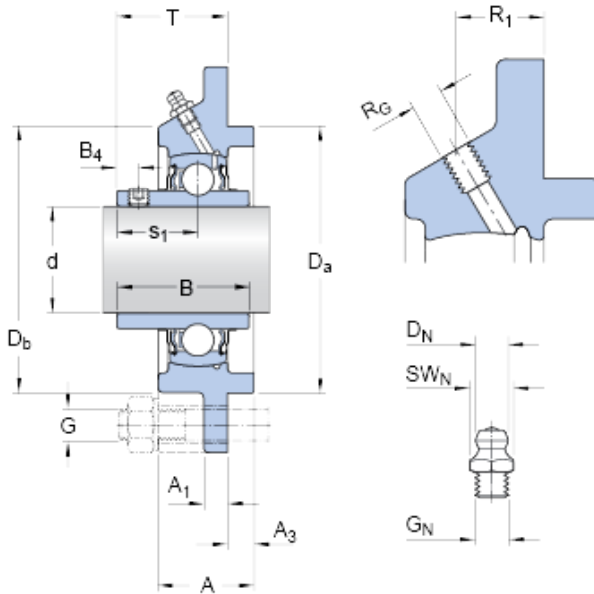




Bearing company



skf fyc 20 tf bearing

Bearing No. fyc 20 tf

Size	20x25.5x7 mm
Bore Diameter	20 mm
Outer Diameter	25,5 mm
Width	7 mm
d	20 mm
A	25.5 mm
A ₁	7 mm
A ₃	5 mm
B	31 mm
B ₄	4.5 mm
D _a - h8	62 mm
D _b	61 mm
J	78 mm
J ₁	55.2 mm
L	100 mm
H	12 mm
s ₁	18.3 mm
T	28.3 mm
D _N	6.5 mm
SW _N	7 mm
G _N - 1/4-28 SAE-LT	1/428 SAELT
R _G - 1/4-28 UNF	1/428 UNF
R ₁	14.5 mm
Basic dynamic load rating - C	12.7 kN

fyc 20 tf Bearing 2D drawings and 3D CAD models



Bearing company

Basic static load rating - C_0	6.6 kN
Fatigue load limit - P_u	0.28 kN
Limiting speed with shaft tolerance h6	8500 r/min
Weight	0.67 kg
Thread - G_2	M6x0.75
Hexagonal key size for grub screw - H	3 mm
Category	Bearings
Inventory	0.0
Manufacturer Name	SKF
Minimum Buy Quantity	N/A
UNSPSC	31171501
Weight / Kilogram	0
EAN	7316570814248
Product Group	M06110
Housing material	Cast iron
A_1	7 mm
A_3	5 mm
B_4	4.5 mm
D_a	62 mm
D_b	61 mm
J_1	55.2 mm
N	12 mm
s_1	18.3 mm
R_G	1/4-28 UNF
R_1	14.5 mm
D_N	6.5 mm
SW_N	7 mm
G_N	1/4-28 SAE-LT
Basic dynamic load rating C	12.7 kN
Basic static load rating C_0	6.55 kN



Bearing company

Fatigue load limit P_u	0.28 kN
Mass unit	0.67 kg
Thread grub screw G_2	M6x0.75
Hexagonal key size for grub screw N	3 mm
Recommended tightening torque for grub screw	4 N · m
Recommended diameter for attachment bolts, mm G	10 mm
Recommended diameter for attachment bolts, inch G	0.375 in
Bearing	YAR 204-2F
Housing	FYC 504