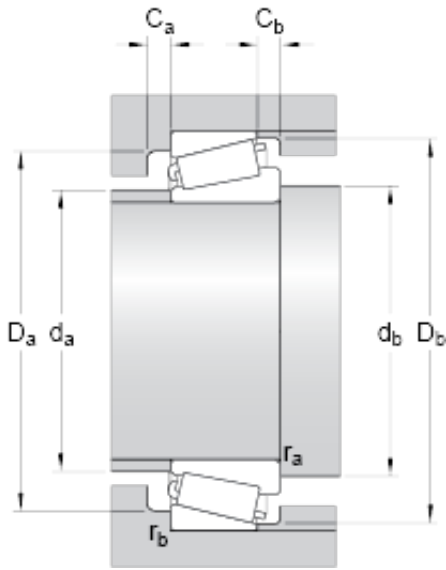




Bearing company



30312 Bearing 2D drawings and 3D CAD models

60 mm x 130 mm x 31 mm skf 30312 bearing

Bearing No. 30312

Dimension series	2FB
d	60 mm
D	130 mm
T	33.5 mm
d ₁	91.87 mm
B	31 mm
C	26 mm
r _{1,2} min.	3 mm
r _{3,4} min.	2.5 mm
a	25.713 mm
d _a max.	77 mm
d _b min.	72.5 mm
D _a min.	112 mm
D _a max.	119.5 mm
D _b min.	120 mm
C _a min.	5 mm
C _b min.	7.5 mm
r _a max.	3 mm
r _b max.	2.5 mm
Basic dynamic load rating C	208 kN
Basic static load rating C ₀	196 kN
Fatigue load limit P _u	23.6 kN
Reference speed	4300 r/min
Limiting speed	5300 r/min
Calculation factor e	0.35
Calculation factor Y	1.7



Bearing company

Calculation factor Y_0	0.9
Mass bearing	1.96 kg