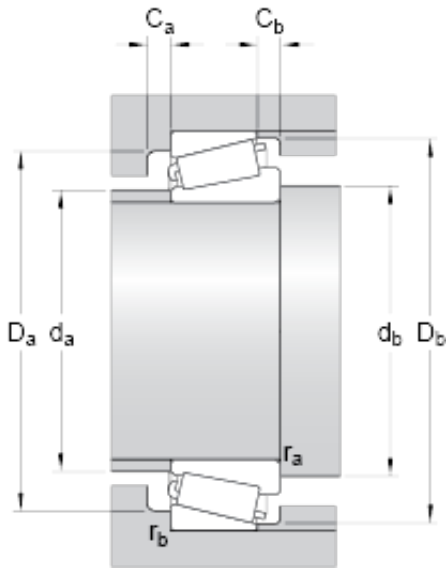




## Bearing company



31312 Bearing 2D drawings and 3D CAD models

60 mm x 130 mm x 31 mm skf 31312 bearing

Bearing No. 31312

Dimension series	4CC
d	60 mm
D	130 mm
T	33.5 mm
d <sub>1</sub>	96 mm
B	31 mm
C	22 mm
r <sub>1,2</sub> min.	3 mm
r <sub>3,4</sub> min.	2.5 mm
a	39.336 mm
d <sub>a</sub> max.	74 mm
d <sub>b</sub> min.	72.5 mm
D <sub>a</sub> min.	103 mm
D <sub>a</sub> max.	119.5 mm
D <sub>b</sub> min.	123 mm
C <sub>a</sub> min.	5 mm
C <sub>b</sub> min.	11.5 mm
r <sub>a</sub> max.	3 mm
r <sub>b</sub> max.	2.5 mm
Basic dynamic load rating C	177 kN
Basic static load rating C <sub>0</sub>	166 kN
Fatigue load limit P <sub>u</sub>	20.4 kN
Reference speed	3800 r/min
Limiting speed	5300 r/min
Calculation factor e	0.83
Calculation factor Y	0.72



## Bearing company

Calculation factor $Y_0$	0.4
Mass bearing	1.93 kg