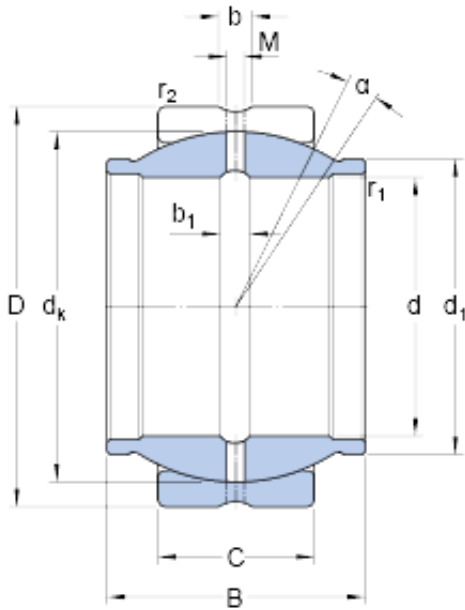




Bearing company

63 mm x 95 mm x 63 mm skf geg 63 es bearing

Bearing No. geg 63 es



geg 63 es Bearing 2D drawings and 3D CAD models

Size	95x63x63 mm
Bore Diameter	95 mm
Outer Diameter	63 mm
Width	63 mm
d	63 mm
D	95 mm
B	63 mm
C	36 mm
	4 °
d _k	83 mm
d ₁	71.5 mm
b	6.2 mm
b ₁	6.2 mm
M	4 mm
r ₁ - min.	1 mm
r ₂ - min.	1 mm
d _a - min.	69.7 mm
d _a - max.	71.5 mm
D _a - min.	78.9 mm
D _a - max.	89.2 mm
r _a - max.	1 mm
r _b - max.	1 mm
Basic dynamic load rating - C	255 kN
Basic static load rating - C ₀	1270 kN
Specific factor dinamic load	100 N/mm ²



Bearing company

- K	
Specific factor static load - K_0	500 N/mm ²
Constant - K_M	330
Category	Spherical Plain Bearings - Radial
Inventory	0.0
Manufacturer Name	SKF
Minimum Buy Quantity	N/A
Weight / Kilogram	1.25
EAN	7316577043054
Product Group	B04264
Self Aligning	Yes
Rolling Element	Spherical Plain
Material - Outer Member	Steel
Material - Ball	Steel
Material - Liner	Not Applicable
Relubricatable	Yes
Enclosure	Open
Other Features	2 Piece Extended Inner Ring on Both Sides Lubrication Hole and an Annular Groove in Both Rings
Long Description	63MM Bore; 36MM Housing Width; 95MM Outside Diameter; Spherical Plain; Steel Outer Member; Steel Ball; No Liner; 63MM Overall Width; Relubricatable
Inch - Metric	Metric
Category	Plain Bearings Spherical Radial
UNSPSC	31171515
Harmonized Tariff Code	8483.30.80.70



Bearing company

Noun	Bearing
Keyword 3	Spherical
Keyword String	Plain Spherical Radial
Manufacturer URL	http://www.skf.com
Manufacturer Item Number	GEG 63 ES
Weight / LBS	2.756
Housing Width	1.417 Inch 36 Millimeter
Overall Width	2.48 Inch 63 Millimeter
Outside Diameter	3.74 Inch 95 Millimeter
Bore	2.48 Inch 63 Millimeter
bore diameter:	63 mm
inner ring material:	Steel
outside diameter:	95 mm
outer ring width:	36 mm
misalignment angle:	4 °
overall width:	63 mm
inner ring width:	63 mm
radial static load capacity:	1270 kN
bearing type:	Radial
radial dynamic load capacity:	255 kN
lubrication type:	Requires Lubrication
operating temperature range:	-50 to +200 ° C ° F
closure type:	Open
manufacturer upc number:	7316577043054
outer ring material:	Steel
Lubricant	Regular relubrication – grease
Design (sliding contact surface combination)	Steel/steel
Sealing solution	-
	4 °



Bearing company

d_k	83 mm
d_1	71.5 mm
b_1	6.2 mm
r_1 min.	1 mm
r_2 min.	1 mm
d_a min.	69.7 mm
d_a max.	71.5 mm
D_a min.	78.9 mm
D_a max.	89.2 mm
r_a max.	1 mm
r_b max.	1 mm
Basic dynamic load rating C	255 kN
Basic static load rating C_0	1270 kN
Specific dynamic load factor K	100 N/mm ²
Specific static load factor K_0	500 N/mm ²
Material constant K_M	330
Mass plain bearing	1.25 kg