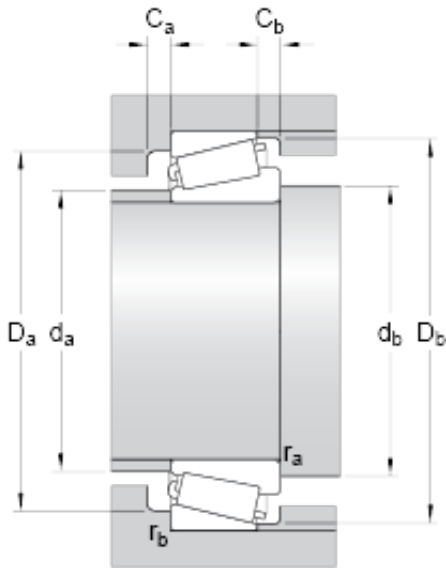




## Bearing company



32308 Bearing 2D drawings and 3D CAD models

40 mm x 90 mm x 33 mm skf 32308 bearing

Bearing No. 32308

Dimension series	2FD
d	40 mm
D	90 mm
T	35.25 mm
d <sub>1</sub>	62.95 mm
B	33 mm
C	27 mm
r <sub>1,2</sub> min.	2 mm
r <sub>3,4</sub> min.	1.5 mm
a	22.949 mm
d <sub>a</sub> max.	51 mm
d <sub>b</sub> min.	49.5 mm
D <sub>a</sub> min.	73 mm
D <sub>a</sub> max.	82.5 mm
D <sub>b</sub> min.	82 mm
C <sub>a</sub> min.	4 mm
C <sub>b</sub> min.	8 mm
r <sub>a</sub> max.	2 mm
r <sub>b</sub> max.	1.5 mm
Basic dynamic load rating C	143 kN
Basic static load rating C <sub>0</sub>	140 kN
Fatigue load limit P <sub>u</sub>	16 kN
Reference speed	6000 r/min
Limiting speed	8000 r/min
Calculation factor e	0.35
Calculation factor Y	1.7



## Bearing company

Calculation factor $Y_0$	0.9
Mass bearing	1.03 kg