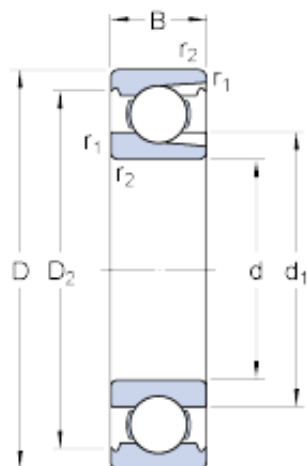




Bearing company



55 mm x 100 mm x 21 mm skf 211 bearing

Bearing No. 211

Size	100x55x21 mm
Bore Diameter	100 mm
Outer Diameter	55 mm
Width	21 mm
d	55 mm
D	100 mm
B	21 mm
d ₁	69.06 mm
D ₂	89.4 mm
r _{1,2} - min.	1.5 mm
d _a - min.	64 mm
D _a - max.	91 mm
r _a - max.	1.5 mm
Basic dynamic load rating - C	48.4 kN
Basic static load rating - C ₀	44 kN
Fatigue load limit - P _u	1.9 kN
Reference speed	12000 r/min
Limiting speed	7000 r/min
Calculation factor - k _r	0.04
Category	Single Row Ball Bearings
Inventory	6.0
Manufacturer Name	SKF
Minimum Buy Quantity	N/A
Weight / Kilogram	0.68
EAN	7316576679759

211 Bearing 2D drawings and 3D CAD models



Bearing company

Product Group	B00308
Enclosure	Open
Precision Class	ABEC 1 ISO P0
Maximum Capacity / Filling Slot	Yes
Rolling Element	Ball Bearing
Snap Ring	No
Internal Special Features	No
Cage Material	Steel
Internal Clearance	C0-Medium
Inch - Metric	Metric
Long Description	55MM Bore; 100MM Outside Diameter; 21MM Outer Race Diameter; Open; Ball Bearing; ABEC 1 ISO P0; Yes Filling Slot; No Snap Ring; No Internal Special Features
Category	Single Row Ball Bearing
UNSPSC	31171504
Harmonized Tariff Code	8482.10.50.68
Noun	Bearing
Keyword String	Ball
Manufacturer URL	http://www.skf.com
Manufacturer Item Number	211
Weight / LBS	1.49
Bore	2.165 Inch 55 Millimeter
Outside Diameter	3.937 Inch 100 Millimeter
Outer Race Width	0.827 Inch 21 Millimeter
bore diameter:	55 mm
static load capacity:	44 kN
outside diameter:	100 mm
precision rating:	ABEC 3 (ISO Class 6)
overall width:	21 mm



Bearing company

finish/coating:	Uncoated
bore type:	Round
cage material:	Steel
closure type:	Open
outer ring width:	21 mm
row type & fill slot:	Single Row Filling Slot
fillet radius:	1.5 mm
snap ring included:	Without Snap Ring
maximum rpm:	7000 RPM
internal clearance:	C0
series:	21
dynamic load capacity:	48.4 kN
thrust application warning:	This product can not be used in Thrust Applications
d_1	69.06 mm
D_2	89.4 mm
$r_{1,2}$ min.	1.5 mm
d_a min.	64 mm
D_a max.	91 mm
r_a max.	1.5 mm
Basic dynamic load rating C	48.4 kN
Basic static load rating C_0	44 kN
Fatigue load limit P_u	1.86 kN
Calculation factor k_r	0.04
Mass bearing	0.66 kg