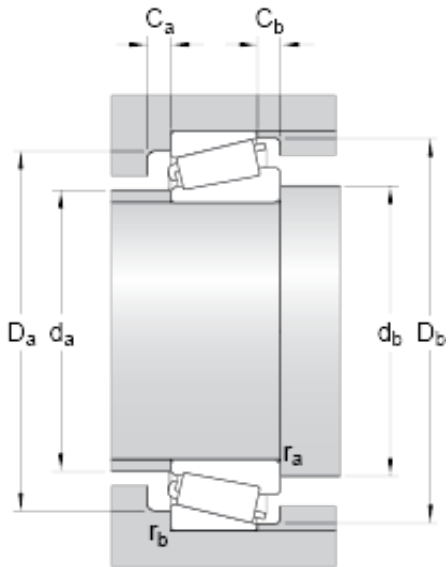




Bearing company



31309 Bearing 2D drawings and 3D CAD models

45 mm x 100 mm x 25 mm skf 31309 bearing

Bearing No. 31309

Dimension series	7FB
d	45 mm
D	100 mm
T	27.25 mm
d ₁	74.7 mm
B	25 mm
C	18 mm
r _{1,2} min.	2 mm
r _{3,4} min.	1.5 mm
a	31.023 mm
d _a max.	57 mm
d _b min.	55 mm
D _a min.	79 mm
D _a max.	92 mm
D _b min.	95 mm
C _a min.	4 mm
C _b min.	9 mm
r _a max.	2 mm
r _b max.	1.5 mm
Basic dynamic load rating C	113 kN
Basic static load rating C ₀	102 kN
Fatigue load limit P _u	12.5 kN
Reference speed	5000 r/min
Limiting speed	6700 r/min
Calculation factor e	0.83
Calculation factor Y	0.72



Bearing company

Calculation factor Y_0	0.4
Mass bearing	0.95 kg