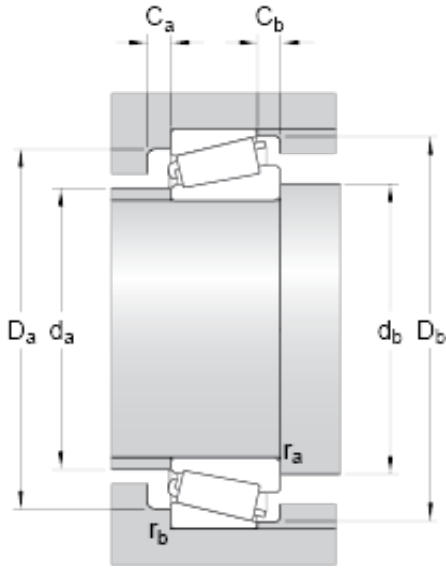




Bearing company

80 mm x 170 mm x 39 mm skf 31316 bearing

Bearing No. 31316



31316 Bearing 2D drawings and 3D CAD models

Dimension series	7GB
d	80 mm
D	170 mm
T	42.5 mm
d ₁	125.38 mm
B	39 mm
C	27 mm
r _{1,2} min.	3 mm
r _{3,4} min.	2.5 mm
a	51.517 mm
d _a max.	97 mm
d _b min.	93.5 mm
D _a min.	134 mm
D _a max.	159 mm
D _b min.	159 mm
C _a min.	5 mm
C _b min.	15.5 mm
r _a max.	3 mm
r _b max.	2.5 mm
Basic dynamic load rating C	276 kN
Basic static load rating C ₀	265 kN
Fatigue load limit P _u	30.5 kN
Reference speed	3000 r/min
Limiting speed	4000 r/min
Calculation factor e	0.83
Calculation factor Y	0.72



Bearing company

Calculation factor Y_0	0.4
Mass bearing	4.06 kg