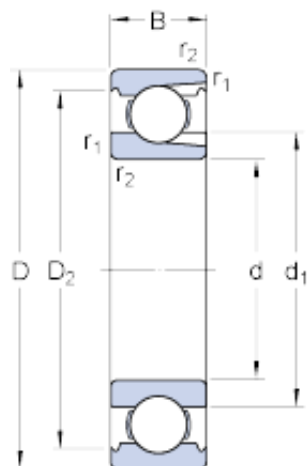




Bearing company



50 mm x 90 mm x 20 mm skf 210 bearing

Bearing No. 210

Size	90x50x20 mm
Bore Diameter	90 mm
Outer Diameter	50 mm
Width	20 mm
d	50 mm
D	90 mm
B	20 mm
d ₁	62.51 mm
D ₂	81.61 mm
r _{1,2} - min.	1.1 mm
d _a - min.	57 mm
D _a - max.	83 mm
r _a - max.	1 mm
Basic dynamic load rating - C	39.1 kN
Basic static load rating - C ₀	34.5 kN
Fatigue load limit - P _u	1.5 kN
Reference speed	13000 r/min
Limiting speed	8000 r/min
Calculation factor - k _r	0.04
Category	Single Row Ball Bearings
Inventory	1.0
Manufacturer Name	SKF
Minimum Buy Quantity	N/A
Weight / Kilogram	0.45
EAN	7316576679698

210 Bearing 2D drawings and 3D CAD models



Bearing company

Product Group	B04311
Enclosure	Open
Precision Class	ABEC 1 ISO P0
Maximum Capacity / Filling Slot	Yes
Rolling Element	Ball Bearing
Snap Ring	No
Internal Special Features	No
Cage Material	Steel
Internal Clearance	C0-Medium
Inch - Metric	Metric
Long Description	50MM Bore; 90MM Outside Diameter; 20MM Outer Race Diameter; Open; Ball Bearing; ABEC 1 ISO P0; Yes Filling Slot; No Snap Ring; No Internal Special Features
Category	Single Row Ball Bearing
UNSPSC	31171504
Harmonized Tariff Code	8482.10.50.68
Noun	Bearing
Keyword String	Ball
Manufacturer URL	http://www.skf.com
Manufacturer Item Number	210
Weight / LBS	0.99
Bore	1.969 Inch 50 Millimeter
Outside Diameter	3.543 Inch 90 Millimeter
Outer Race Width	0.787 Inch 20 Millimeter
bore diameter:	50 mm
static load capacity:	34.5 kN
outside diameter:	90 mm
precision rating:	ABEC 3 (ISO Class 6)
overall width:	20 mm



Bearing company

finish/coating:	Uncoated
bore type:	Round
cage material:	Steel
closure type:	Open
outer ring width:	20 mm
row type & fill slot:	Single Row Filling Slot
fillet radius:	1 mm
snap ring included:	Without Snap Ring
maximum rpm:	8000 RPM
internal clearance:	C0
series:	21
dynamic load capacity:	39.1 kN
thrust application warning:	This product can not be used in Thrust Applications
d_1	62.51 mm
D_2	81.61 mm
$r_{1,2}$ min.	1.1 mm
d_a min.	57 mm
D_a max.	83 mm
r_a max.	1 mm
Basic dynamic load rating C	39.1 kN
Basic static load rating C_0	34.5 kN
Fatigue load limit P_u	1.46 kN
Calculation factor k_r	0.04
Mass bearing	0.5 kg