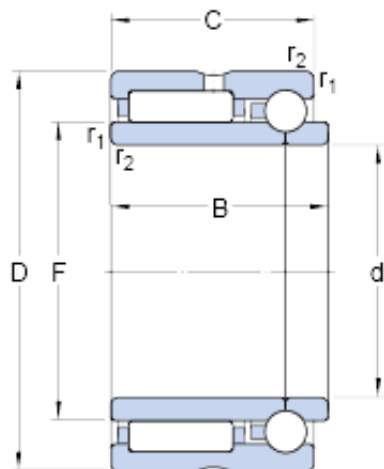




Bearing company



17 mm x 30 mm x 20 mm skf nkib 5903 bearing

Bearing No. nkib 5903

Size	30x17x20 mm
Bore Diameter	30 mm
Outer Diameter	17 mm
Width	20 mm
d	17 mm
D	30 mm
B	20 mm
C	18 mm
F	22 mm
$r_{1,2}$ - min.	0.3 mm
d_a - min.	19 mm
D_a - max.	28 mm
r_a - max.	0.3 mm
Basic dynamic load rating, radial direction - C	11.4 kN
Basic static load rating, radial direction - C_0	16.3 kN
Basic dynamic load rating, axial direction - C	2.2 kN
Basic static load rating, axial direction - C_0	2.7 kN
Fatigue load limit, radial direction - P_u	2 kN
Fatigue load limit, axial direction - P_u	0.116 kN
Reference speed	18000 r/min
Limiting speed	20000 r/min

nkib 5903 Bearing 2D drawings and 3D CAD models



Bearing company

Category	Roller Bearings
Inventory	0.0
Manufacturer Name	SKF
Minimum Buy Quantity	N/A
Weight / Kilogram	0.061
EAN	7316570809282
Product Group	B04144
bore diameter:	17 mm
closure type:	Open
outside diameter:	30 mm
fillet radius:	0.3 mm
overall width:	20 mm
lubrication type:	Grease
bearing type:	Needle Roller/Angular Contact Ball
cage material:	Steel
operating temperature range:	Max 250 ° F
series:	NKIB
radial dynamic load capacity:	11.4 kN
manufacturer product page:	Click here
radial static load capacity:	16.3 kN
manufacturer upc number:	7316570809282
bearing material:	Steel
weight:	0.13 lb
maximum rpm:	20000 rpm
r _{1,2} min.	0.3 mm
d _a min.	19 mm
D _a max.	28 mm
r _a max.	0.3 mm
Basic dynamic load rating, radial direction C	11.4 kN



Bearing company

Basic static load rating, radial direction C_0	16.3 kN
Basic dynamic load rating, axial direction C	2.24 kN
Basic static load rating, axial direction C_0	2.74 kN
Fatigue load limit, radial direction P_u	1.96 kN
Fatigue load limit, axial direction P_u	0.116 kN
Mass bearing	0.058 kg