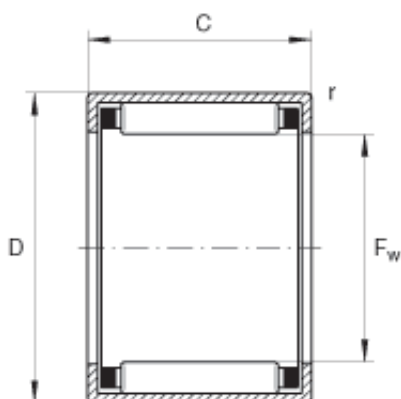




Bearing company



ina hk1212 bearing

Bearing No. hk1212

Size	12x18x12 mm
Bore Diameter	12 mm
Outer Diameter	18 mm
Width	12 mm
F_w	12 mm
D	18 mm
C - 12 mm / Tolerance: -0,3	12 mm / Tolerance: 0,3
r_{min}	0,8 mm
m	9 g / Weight
C_r	6500 N / Dynamic load rating (radial)
C_{0r}	7300 N / Static load rating (radial)
C_{ur}	860 N / Fatigue limit load, radial
n_G	20000 1/min / Limiting speed
n_B	13800 1/min / Reference speed
	LR8X12X12,5 / Suitable inner ring
	IR8X12X12,5 / Suitable inner ring
Category	Needle Non Thrust Roller Bearings
Inventory	0.0
Manufacturer Name	SCHAEFFLER GROUP
Minimum Buy Quantity	N/A

hk1212 Bearing 2D drawings and 3D CAD models



Bearing company

Weight / Kilogram	0.011
EAN	4012802617979
Product Group	B04144
Rolling Element	Needle Roller Bearing
Component	Roller Assembly with Outer Ring - No Inner Ring
Enclosure	Open
Self Aligning	No
Retainer	Yes
Number of Rows of Rollers	Single Row
Separable	No
Closed End	No
Inch - Metric	Metric
Relubricatable	No
Thrust Bearing	No
Long Description	12MM Bore; 18MM Outside Diameter; 12MM Width; Needle Roller Bearing; Roller Assembly with Outer Ring - No Inner Ring; Open Enclosure; No Self Aligning; Retainer; Single Row of Rollers; No Separable; N
Other Features	2 Rib Outer Ring Drawn Cup Bearing Steel Cage
Category	Needle Non Thrust Roller Bearing
UNSPSC	31171512
Harmonized Tariff Code	8482.40.00.00
Noun	Bearing
Keyword String	Needle
Manufacturer URL	http://www.ina.com
Manufacturer Item Number	HK1212
Weight / LBS	0.02
Bore	0.472 Inch 12 Millimeter



Bearing company

Outside Diameter	0.709 Inch 18 Millimeter
Width	0.472 Inch 12 Millimeter